



ACTION

Close-fitted and unstructured baseball cap in cotton twill.
 Under bill and sweatband in asphalt grey colour.
 Side metal eyelets.
 Self fabric strap with slide buckle.

Technical accessories

Composition	Main Fabric: 100% Chino Cotton twill - 280 gsm
Panels	6 Panels
Sweatband	Sweatband in Cotton Twill (closed on back)
Eyelets	4 Metal silver eyelets - 2 on both sides
Buckram	No buckram- Unstructured front panels
Closure	Sunday buckle
Washing	Garment Washing
Stitching	Jeans stitching
Size	One size fits all
Packing	-
Custom code	6505.00.30
Made in	China

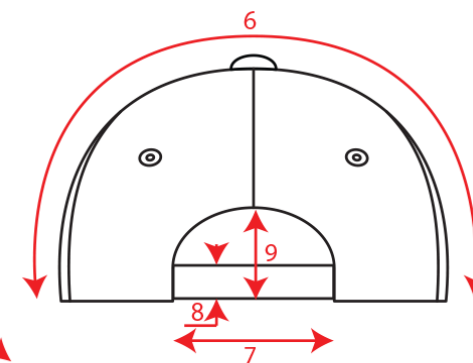
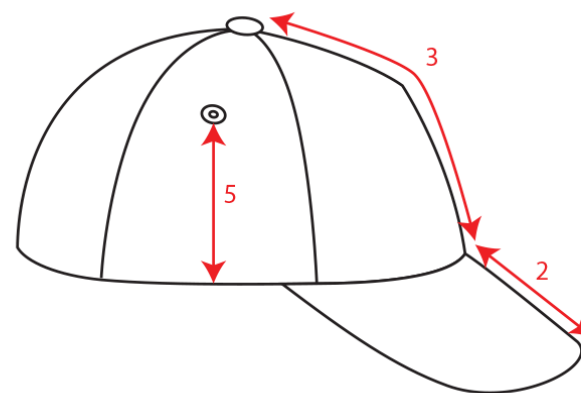
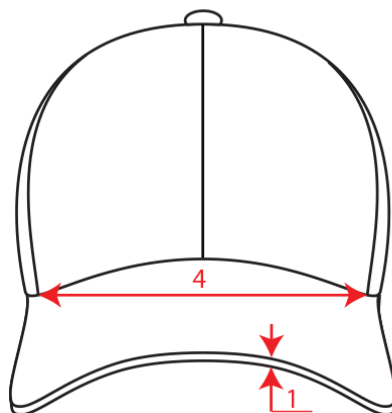
Where to customize

Centimeters

	Front	Back	Closure	Right	Left
Print	-	-	6 x 1,2	6 x 5	6 x 5
Embroidery	14 x 6	8 x 3,5	-	12 x 6	12 x 6
Heat transfer	-	-	-	6 x 4	6 x 4

Technical Size (cm)

1	0.3
2	7.0
3	16.5
5	3.20
6	33.0
7	8.0
8	1.8
9	5.5



Color variants (TPX / Pantone)

WHITE



UNDERBILL: 16-3802 / 408-C
SWEATBAND: 11-0601 / WHITE
HAT: 11-0601 / WHITE

BURGUNDY



UNDERBILL: 16-3802 / 408-C
HAT: 19-1725 / 7421-C

FUCHSIA



UNDERBILL: 16-3802 / 408-C
HAT: 18-2043 / 214-C

YELLOW



UNDERBILL: 16-3802 / 408-C
HAT: 15-0955 / 1235-C

GREY



UNDERBILL: 16-3802 / 408-C
HAT: 16-3802 / 408-C

KHAKI



UNDERBILL: 16-3802 / 408-C
HAT: 17-1312 / 7530-C

BROWN



UNDERBILL: 16-3802 / 408-C
HAT: 19-0844 / 7533-C

BLACK



UNDERBILL: 16-3802 / 408-C
HAT: 19-4005 / BLACK-C

Color variants (TPX / Pantone)

NAVY



UNDERBILL: 16-3802 / 408-C
HAT: 19-4010 / 433-C

OLIVE



UNDERBILL: 16-3802 / 408-C
HAT: 18-0521 / 417-C

RED



UNDERBILL: 16-3802 / 408-C
HAT: 19-1761 / 200-C

PINK



UNDERBILL: 16-3802 / 408-C
HAT: 15-1717 / 3572-C

STONE



UNDERBILL: 16-3802 / 408-C
HAT: 13-0401 / 4755-C

ACID-GREEN



UNDERBILL: 16-3802 / 408-C
HAT: 15-0146 / 7488-C

DARK-GREY



UNDERBILL: 16-3802 / 408-C
HAT: 18-3907 / 425-C

ORANGE



UNDERBILL: 16-3802 / 408-C
HAT: 17-1464 / 173-C

LIGHT-BLUE



UNDERBILL: 16-3802 / 408-C
HAT: 14-4121 / 278-C