



## ESTORIL

A 6-panels baseball cap in polyester jacquard fabric, with a contrasting piping on visor and long hook-and-loop with plastic buckle at rear.

### Technical accessories

<b>Composition</b>	Main Fabric: 100% Polyester Jaquard - 150 gsm
<b>Panels</b>	6 Panels
<b>Visor</b>	Curved/ 4 rows/ Piping on bill
<b>Visor</b>	Curved/ 4 rows/ Curved Visor
<b>Sweatband</b>	Sweatband TC sheeting with 4 stitching (closed on back)
<b>Eyelets</b>	6 Sewn eyelets on crown
<b>Buckram</b>	Buckram oxford
<b>Closure</b>	Hook-and-loop closure with plastic loop
<b>Piping</b>	Half Piping
<b>Size</b>	One size fits all
<b>Packing</b>	24 x 144
<b>Custom code</b>	6505.00.30

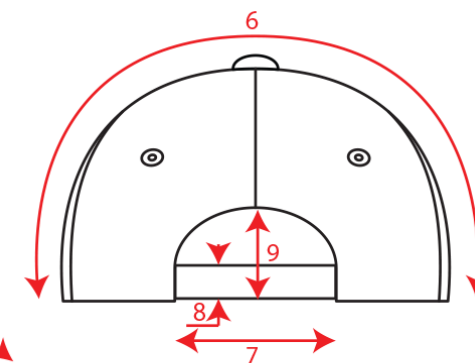
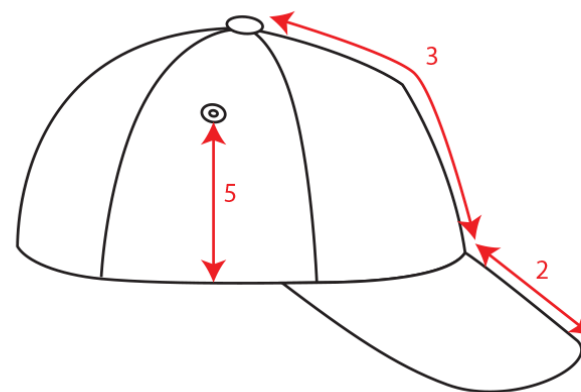
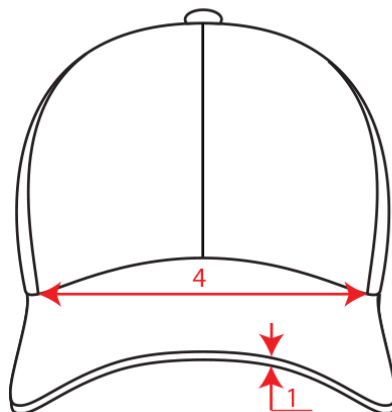
### Where to customize

Centimeters

	Front	Back	Closure	Right	Left
Print	-	-	6 x 1,2	6 x 5	6 x 5
Embroidery	10 x 6	8 x 3,5	-	10 x 6	10 x 6
Heat transfer	-	-	-	6 x 4	6 x 4

### Technical Size (cm)

1	0.25
2	7.0
3	16.2
4	18.3
5	9.0
6	33.0
7	8.5
8	2.0
9	6.5



### Color variants ( TPX / Pantone )

#### WHITE



HAT: 11-4800 / WHITE  
PIPING: 19-4027 / 282-C

#### BLACK



HAT: 19-4005 / BLACK-C  
PIPING: 11-4800 / WHITE

#### NAVY



HAT: 19-4027 / 282-C  
PIPING: 11-4800 / WHITE

#### RED



HAT: 18-1655 / 1797-C  
PIPING: 11-4800 / WHITE

#### ROYAL



HAT: 19-4056 / 7687-C  
PIPING: 11-4800 / WHITE

#### BURGUNDY



HAT: 18-2027 / 2049-C  
PIPING: 11-4800 / WHITE

#### GREY



HAT: 17-1501 / 423-C  
PIPING: 11-4800 / WHITE

#### DARK-GREY



HAT: 19-3908 / 4140-C  
PIPING: 11-4800 / WHITE

**Color variants ( TPX / Pantone )**

**GREEN-BOTTLE**



**HAT:** 19-5513 / 5535-C

**PIPING:** 11-4800 / WHITE