



## RAPPER DESTROYED

A soft feeling for this completely washed cap with a used and destroyed visor border. Chino cotton front panel coupled with foam. Closure Snapback.

### Technical accessories

<b>Composition</b>	Main Fabric: 100% Chino Cotton twill - Side&back: 100% Polyester - 280 gsm
<b>Panels</b>	5 Panels
<b>Visor</b>	Curved/ 4 rows/ Destroyed visor
<b>Sweatband</b>	Sweatband in Cotton Twill (closed on back)
<b>Eyelets</b>	No eyelets
<b>Buckram</b>	No buckram- Unstructured front panels
<b>Closure</b>	Pvc Closure
<b>Washing</b>	Garment Washing
<b>Size</b>	One size fits all
<b>Packing</b>	24 x 144
<b>Custom code</b>	6505.00.30
<b>Made in</b>	China

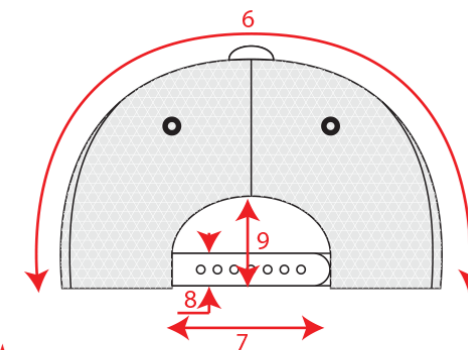
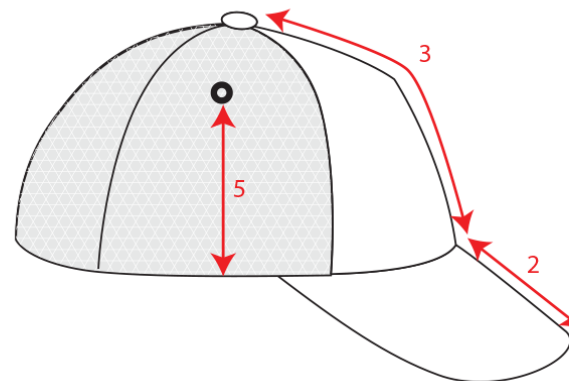
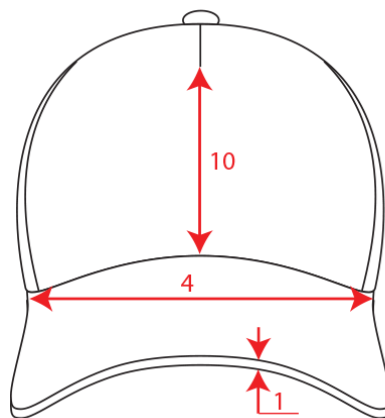
### Where to customize

Centimeters

	Front	Back	Closure	Right	Left
Print	-	-	-	-	-
Embroidery	12 x 6	8 x 3,5	-	10 x 6	10 x 6
Heat transfer	-	-	-	-	-

### Technical Size (cm)

1	0.3
2	7.0
3	16.4
4	18.4
6	33.0
7	8.5
8	2.0
9	5.5
10	9.0



### Color variants ( TPX / Pantone )

#### WHITE-WHITE



**BILL:** 11-0601 / WHITE  
**UNDERBILL:** 11-0601 / WHITE  
**FRONT PANEL:** 11-0601 / WHITE  
**SIDE:** 11-0601 / WHITE

#### BLACK-BLACK



**BILL:** 19-4005 / BLACK-C  
**UNDERBILL:** 19-4005 / BLACK-C  
**FRONT PANEL:** 19-4005 / BLACK-C  
**SIDE:** 19-4005 / BLACK-C